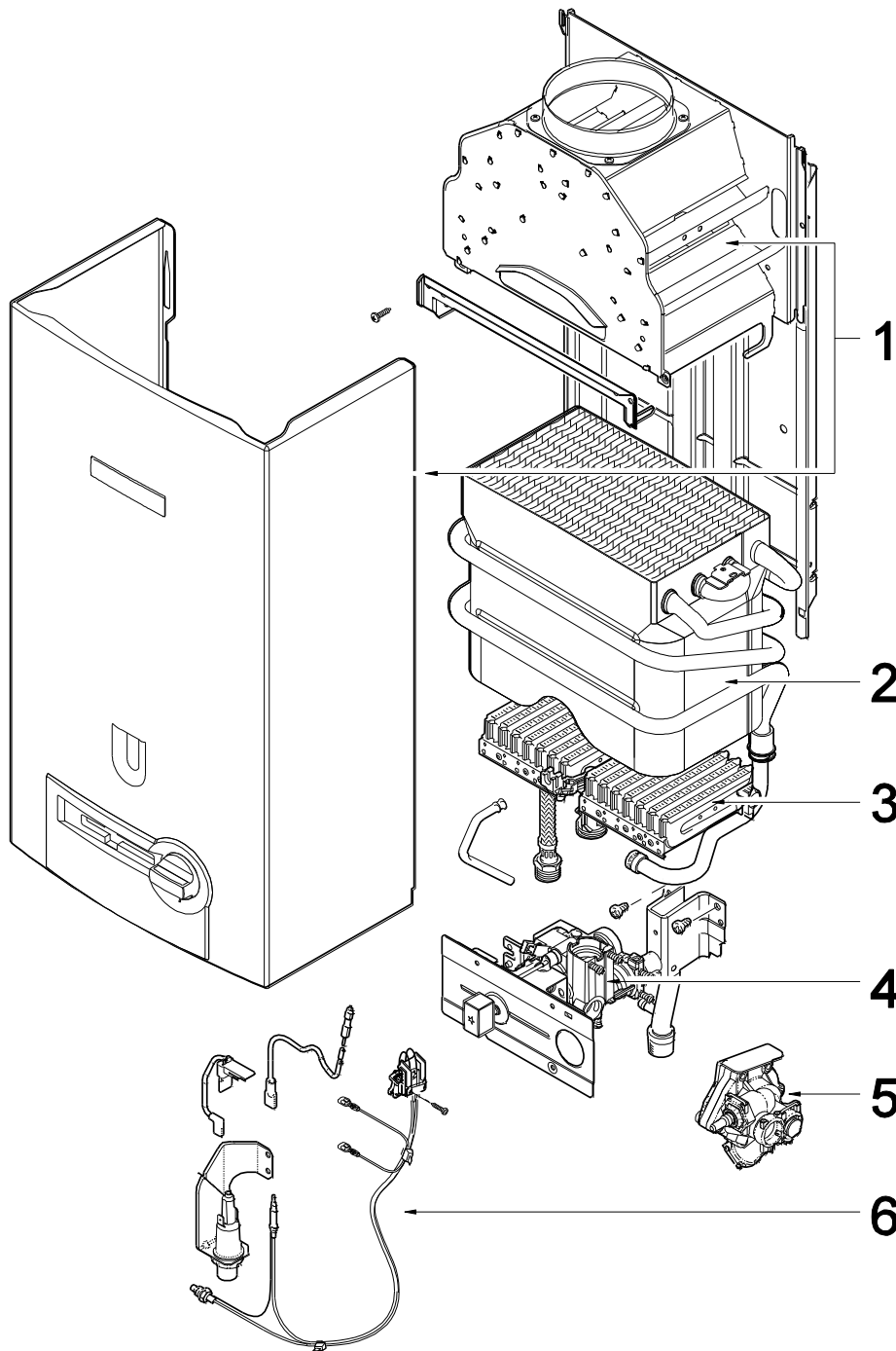


# WR11/14-2 P...

## GWH 10/13/15-2 CO P...



6720902955.AD.JF

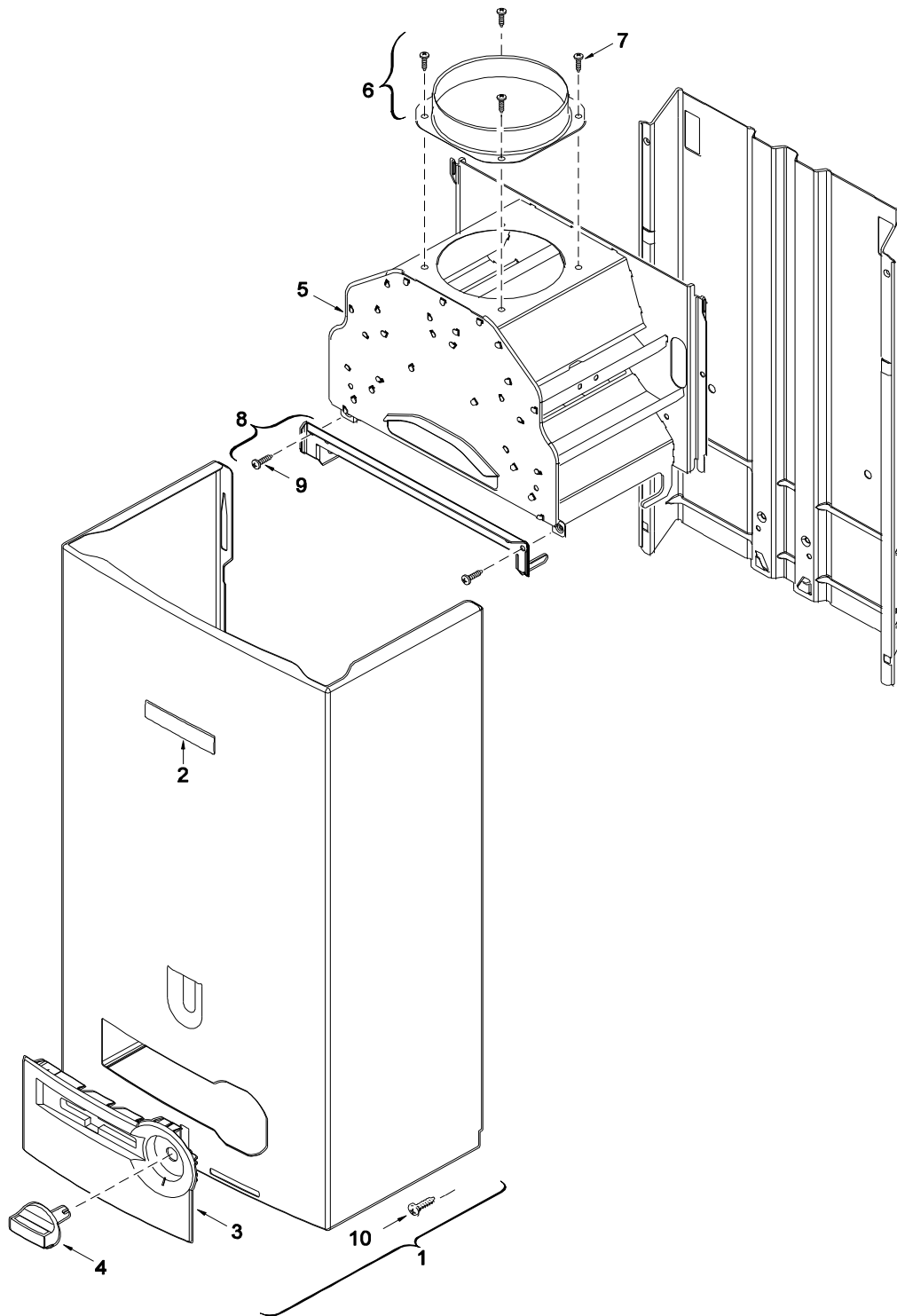


**BOSCH**





Ersatzteilliste  
Spare parts list



6720902089.AD.JF

Mantel  
Front cover

**1**

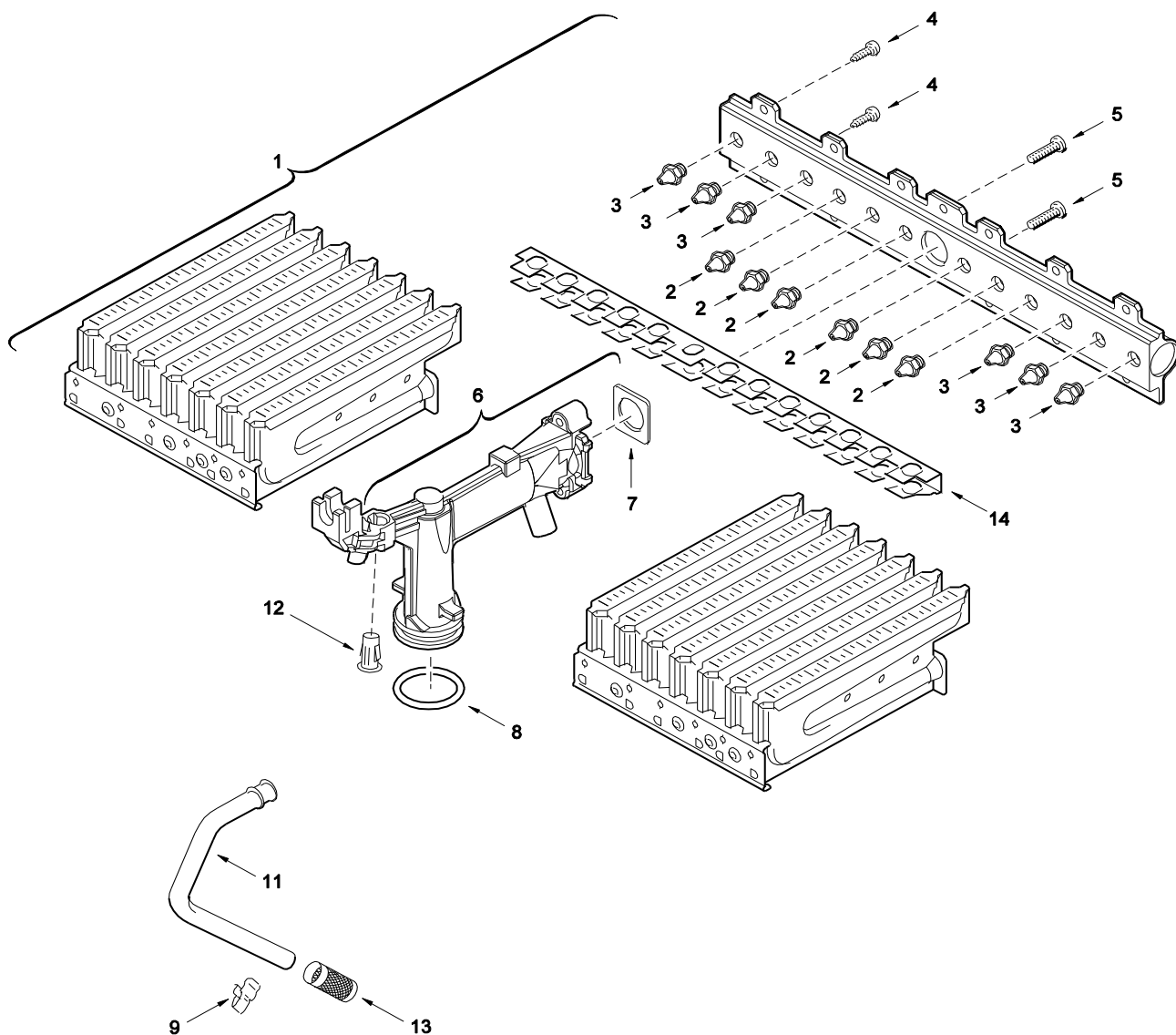
WR11/14-2 P...  
GWH 10/13/15-2 CO P...







Ersatzteilliste  
Spare parts list



6720902091.AF JF

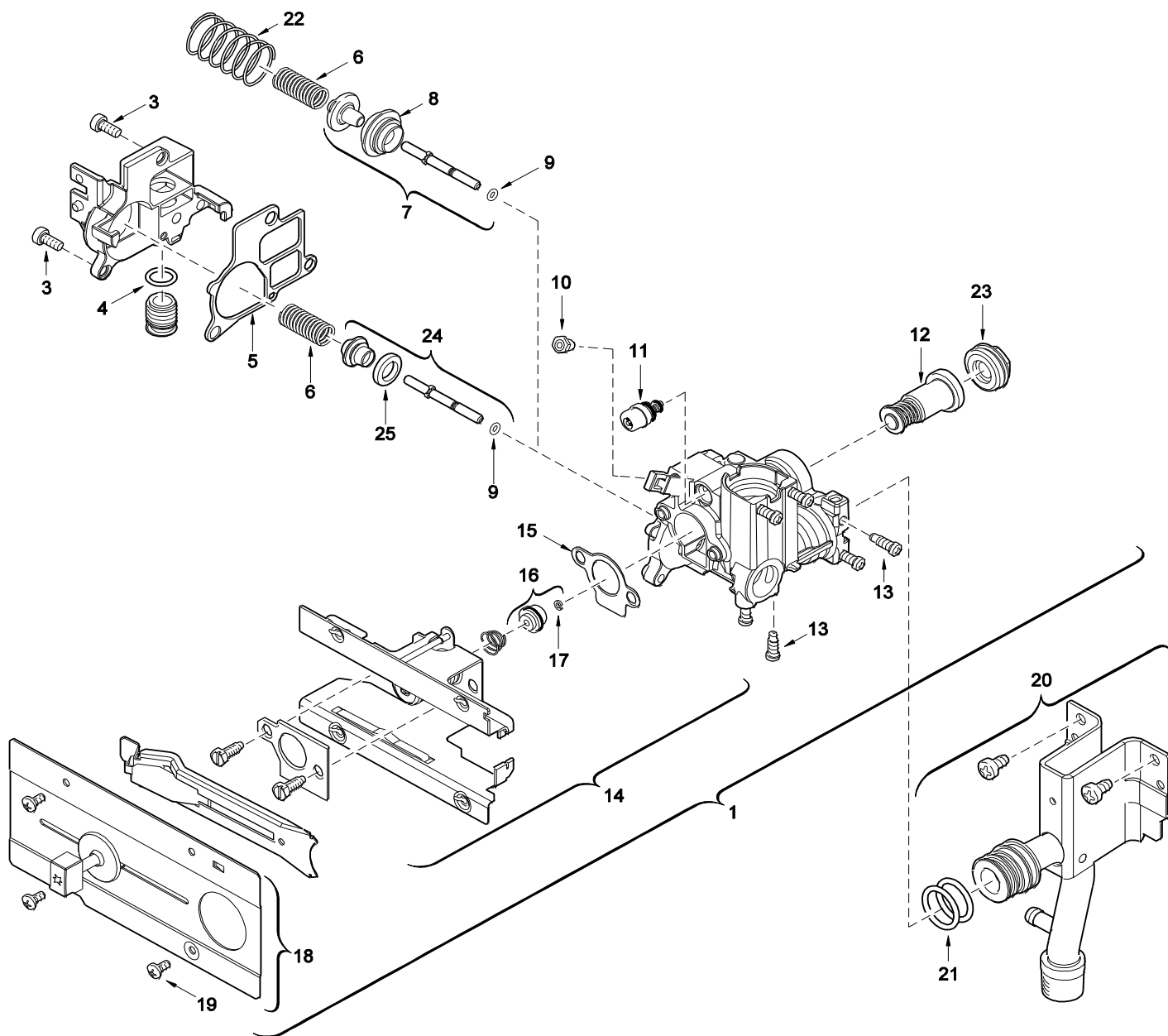
Brenner  
Burner

**3**

WR11/14-2 P...  
GWH 10/13/15-2 CO P...



Ersatzteilliste  
Spare parts list



6720907262.AA JF

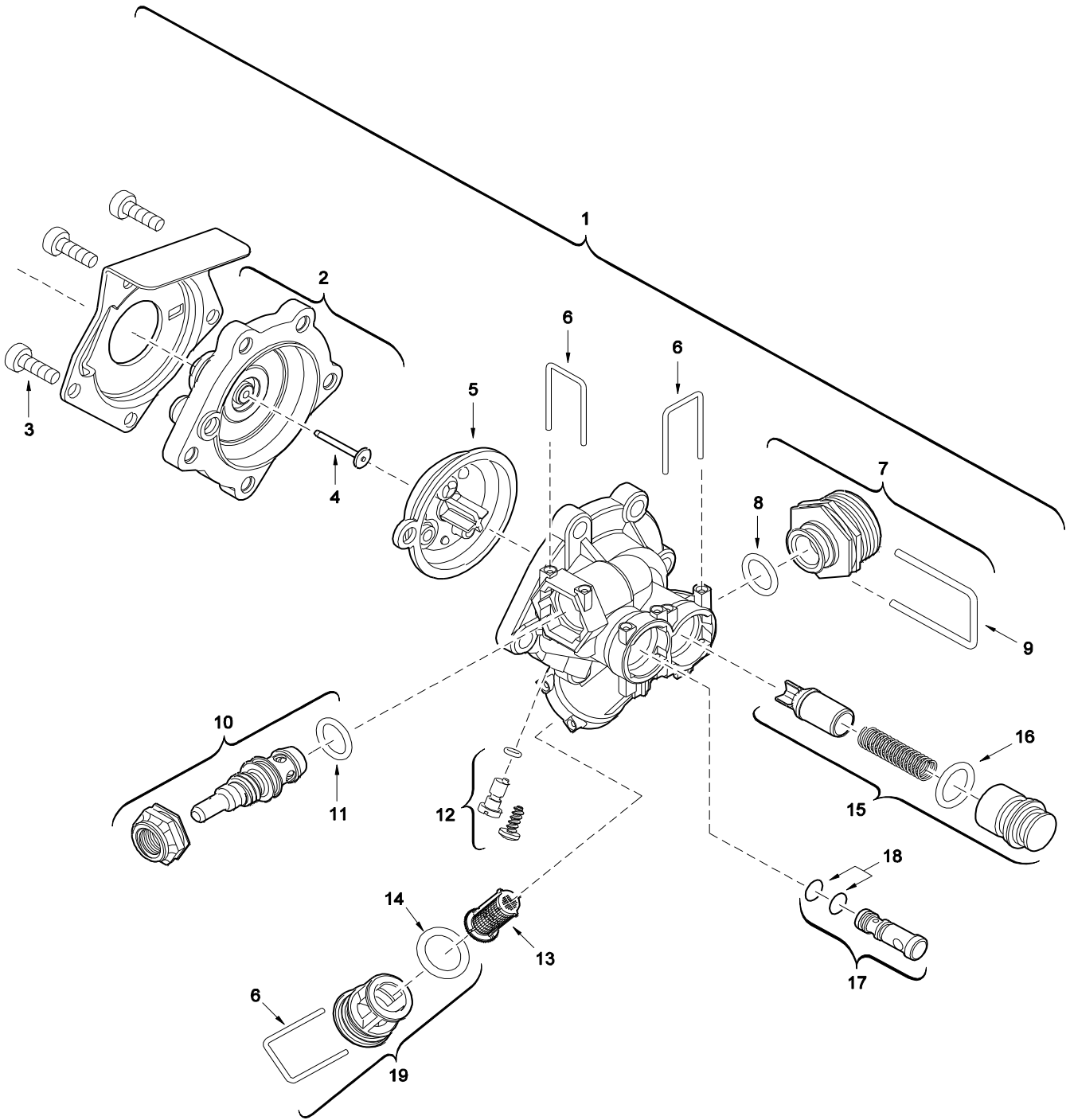
Gasarmatur  
Gas valve

4

WR11/14-2 P...  
GWH 10/13/15-2 CO P...



Ersatzteilliste  
Spare parts list



6720902100.AA.JF

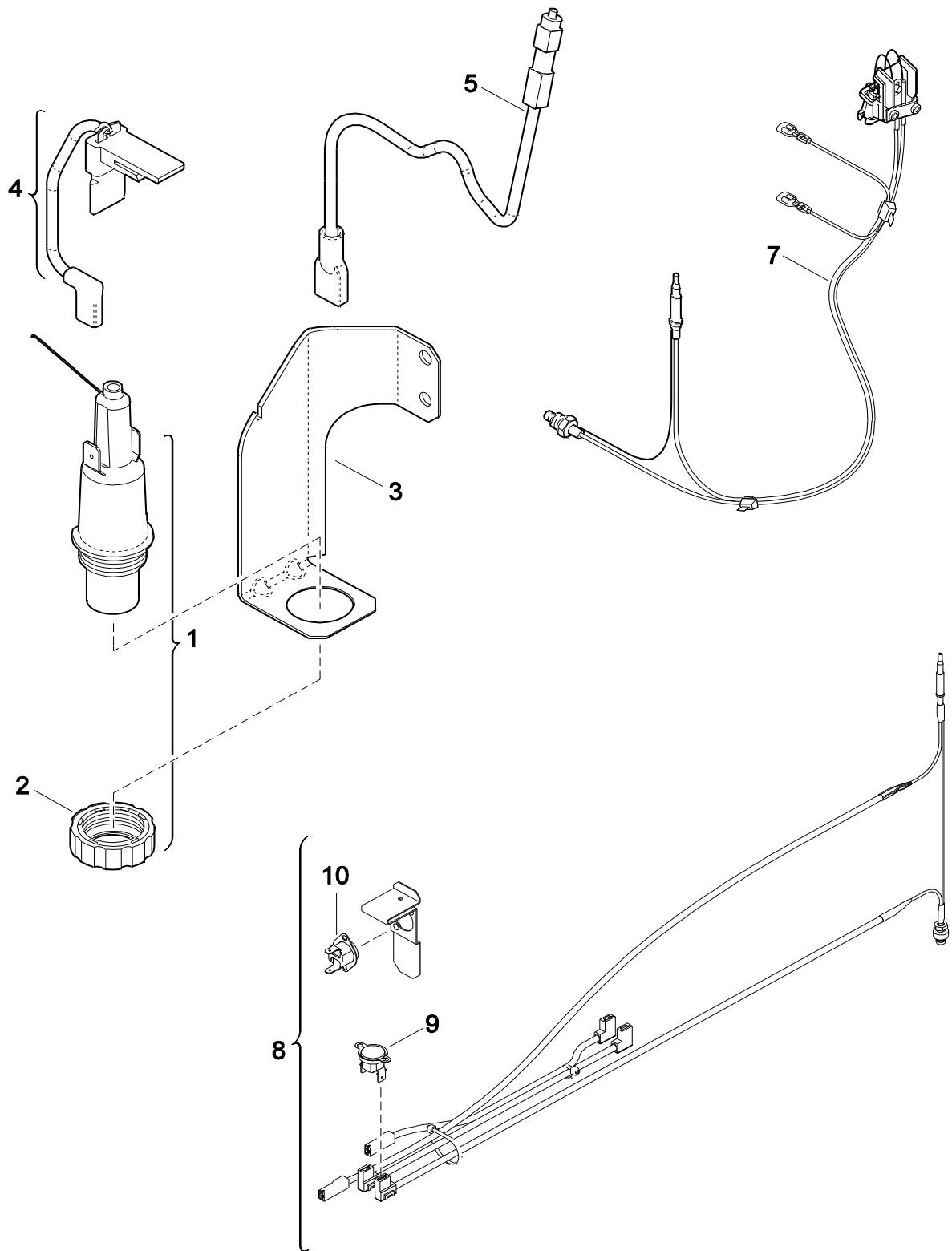
Wasserarmatur (Kunststoff)  
Water valve (plastic)

5

WR11/14-2 P...  
GWH 10/13/15-2 CO P...



Ersatzteilliste  
Spare parts list



6720902331.AC JF

Piezozünder  
Piezo igniter

**6**

WR11/14-2 P...  
GWH 10/13/15-2 CO P...



**Übersetzungsliste**  
**List of translations**

Pos	Description
	<b>1 Element of construction</b>
1	Front cover
1	Front shell
1	Front shell (gray)
2	Trade mark badge
3	Shield
4	Water flow selector handle
5	Draught diverter
6	Exhaust pipe union +110
6	Exhaust pipe union Ø130
7	Screw (10x)
8	Angle bracket
9	Screw M4,8x9,5 (10x)
10	Screw no. 10 x 22mm (10x)
	<b>2 Element of construction</b>
1	Heating body
2	Temperature limiter/ECO
3	Cold water pipe
4	O-ring (10x)
5	Clip (10x)
6	Retaining clip (10x)
7	Hose
8	Clip for ECO (10x)
	<b>3 Element of construction</b>
1	Burner
1	Main burner
1	Burner
2	Nozzle (110) (10x)
2	Nozzle (125) (10x)
2	Nozzle (120) (10x)
2	Nozzle (70) (10x)
3	Nozzle (125) (10x)
3	Nozzle (120) (10x)
3	Nozzle (135) (10x)
3	Nozzle (72) (10x)
3	Nozzle (130) (10x)
4	Screw M3,5x10 (10x)
5	Screw M4 x 12 phillips (10x)
6	Connector
7	Washer (10x)
8	O-ring (10x)
9	Clip (10x)
11	Pilot gas pipe
12	Tube (10x)
13	Filter
	Gas conversion kit 23>31
	Gas conversion kit 23>21
	Gas conversion kit 23>31
	Gas conversion kit 23>21
	Gas conversion kit 31>23
	Conversion_Kit 23>31
	Gas conversion kit 31>23
	Conversion_kit 23>31
	Gas conversion kit 23>31
	<b>4 Element of construction</b>
1	Gas valve
3	Screw M5X12 steel phillips pan hd

**Übersetzungsliste**  
**List of translations**

Pos	Description
4	O-ring (10x)
5	Washer (10x)
6	Compression spring
7	Poppet valve head (2)
7	Poppet valve head (3)
8	Poppet valve head (2)
8	Poppet valve head (3)
9	O-ring (10x)
10	Pilot injector (3C)
10	Pilot injector (4C) (10x)
11	Pilot valve
12	Magnetic unit
13	Screw (10x)
14	Valve operation housing
15	Washer (10x)
16	Poppet valve head
17	Retaining ring (10x)
18	Guide plate
19	Screw no8x3/8" phillips (10x)
20	Gas supply pipe
21	O-ring (10x)
22	Compression spring
23	Sealing screw
24	Poppet valve head (GN)
24	Poppet valve head (LPG)
25	Washer (10x)
<b>5</b>	<b>Element of construction</b>
1	Water valve
2	Cover
3	Screw (10x)
4	Pushrod (10x)
5	Diaphragm (A)
5	Diaphragm (F)
5	Diaphragm (L)
6	Wire form spring (10x)
7	Inlet water connection
8	O-ring (10x)
9	Retaining clip
10	Flow control
11	O-ring (10x)
12	Calibration screw
13	Inlet filter
14	O-ring (10x)
15	Volumetric water governor
16	O-ring (10x)
17	Venturi (23s)
18	O-ring (10x)
19	Filter plug
<b>6</b>	<b>Element of construction</b>
1	Piezo igniter
2	Nut
3	Fixing bracket
4	Ignition locking device
5	Sparking plug & Ignition lead
7	Flue gas safety device
8	Flue gas safety device
9	Temperature sensor







**BOSCH**

**Bosch Thermotechnik GmbH  
D-73249 Wernau / Germany**